



HYDRA SYSTEM

COMPONENTS

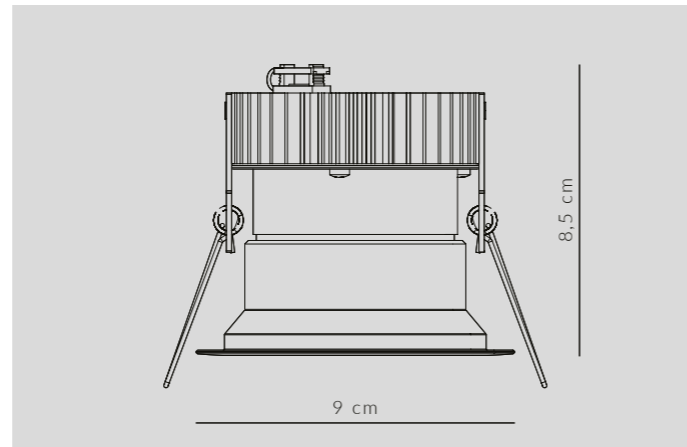
A LIGHT SOURCE
See page 34

B FIXING ACCESSORIES
See page 35

C METALLIC MESH ROPES
See page 35

D GLASSES
See page 36

A LIGHT SOURCE



LED recessed projector 10W24Vdc 2700k cri93 optics 6° circular body ø 90 mm.

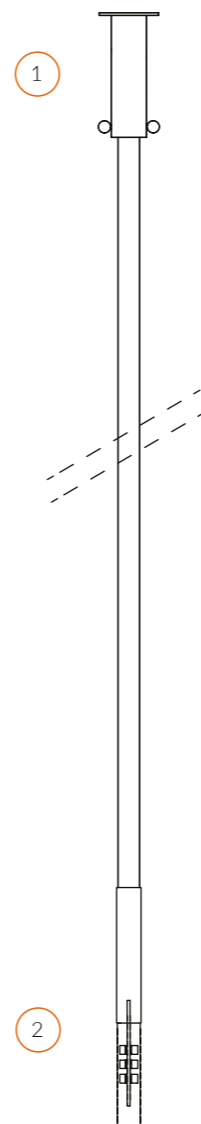
Hydra System is also customizable with: LED CEILING LIGHT (See page 80) or INNER LIGHTS.

INNER LIGHTS

METALLIC MESH ROPE CAN BE ELECTRIFIED, TO HAVE LIGHT INSIDE GLASSES.

- ① Special fixing support for false ceiling.
- ② Inner light for Hydra System glasses complete with special G4 pin LED bulb 2,5 W melogranoblu patent.

Additional inner light can be used only with following models: Alpha, Berry metal, Beta, Datura, Delta, Diesis, Gamma① .



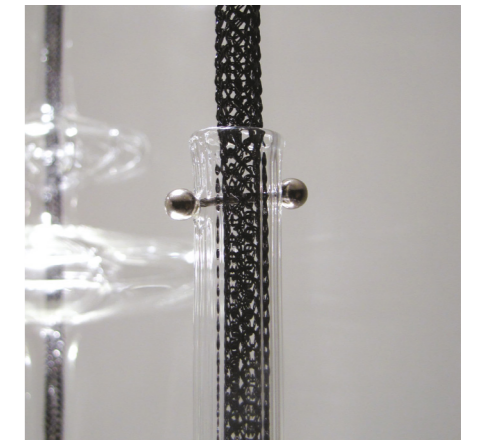
B FIXING ACCESSORIES



CEILING FIXING SUPPORT



FLOOR FIXING SUPPORT



GLASS FIXING METAL PIN

C METALLIC MESH ROPES

#T11 Red

#T34 Fuxia

#T39 Orange

#T26 Gold

#T36 Purple

#T35 Wistaria

#T12 China Blue

#T29 Turquoise

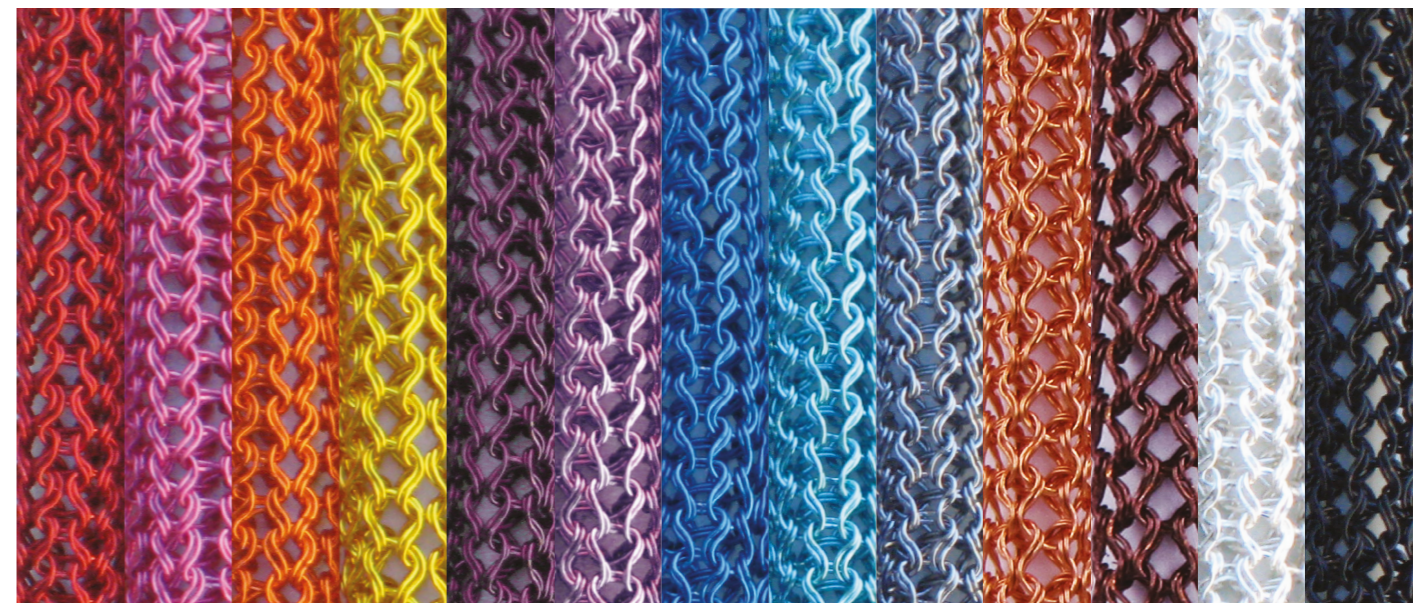
#T08 Titanium

#T00 Copper

#T20 Brown

#T07 Silver

#T21 Black

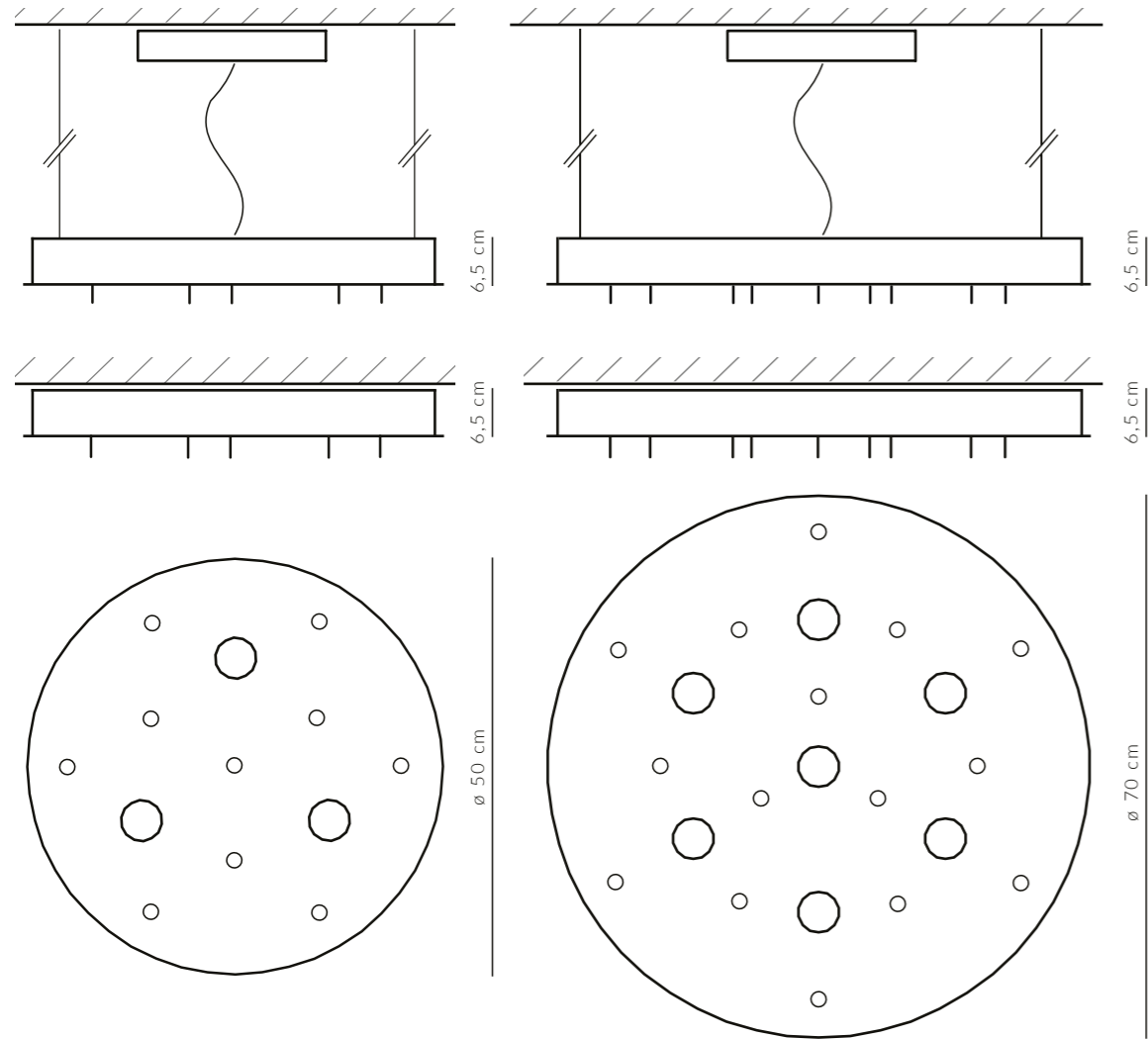


COLOURED METALLIC MESH ROPE TO HANG GLASSES.

Colors in this catalogue may lightly vary because of printing. melogranoblu reserve the right to modify products and colors, without notice, in order to make technical improvements.

HYDRA SYSTEM

LED CEILING LIGHTS



ROUND METAL CEILING.

SMALL_ø 50 cm. Varnished or mirror finishing.
3 x 10W power LED dimmable, 2700k optic 10°.
10 fixing supports for metallic mesh ropes.

LARGE_ø 70 cm. Varnished or mirror finishing.
7 x 10W power LED dimmable, 2700k optic 10°.
15 fixing supports for metallic mesh ropes.

melogranoblu can design and produce customized ceiling lights.

